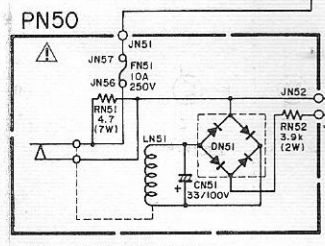
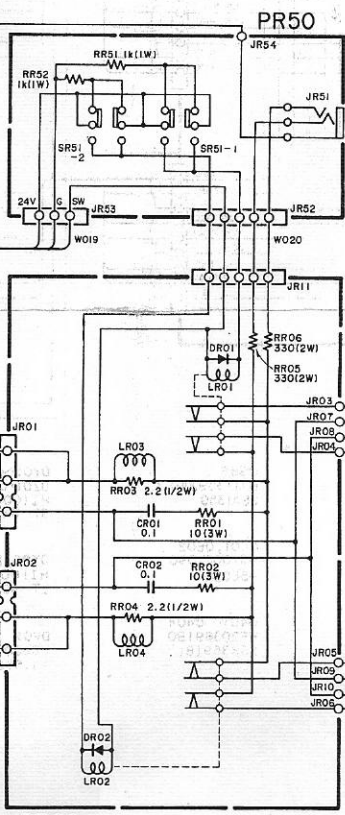
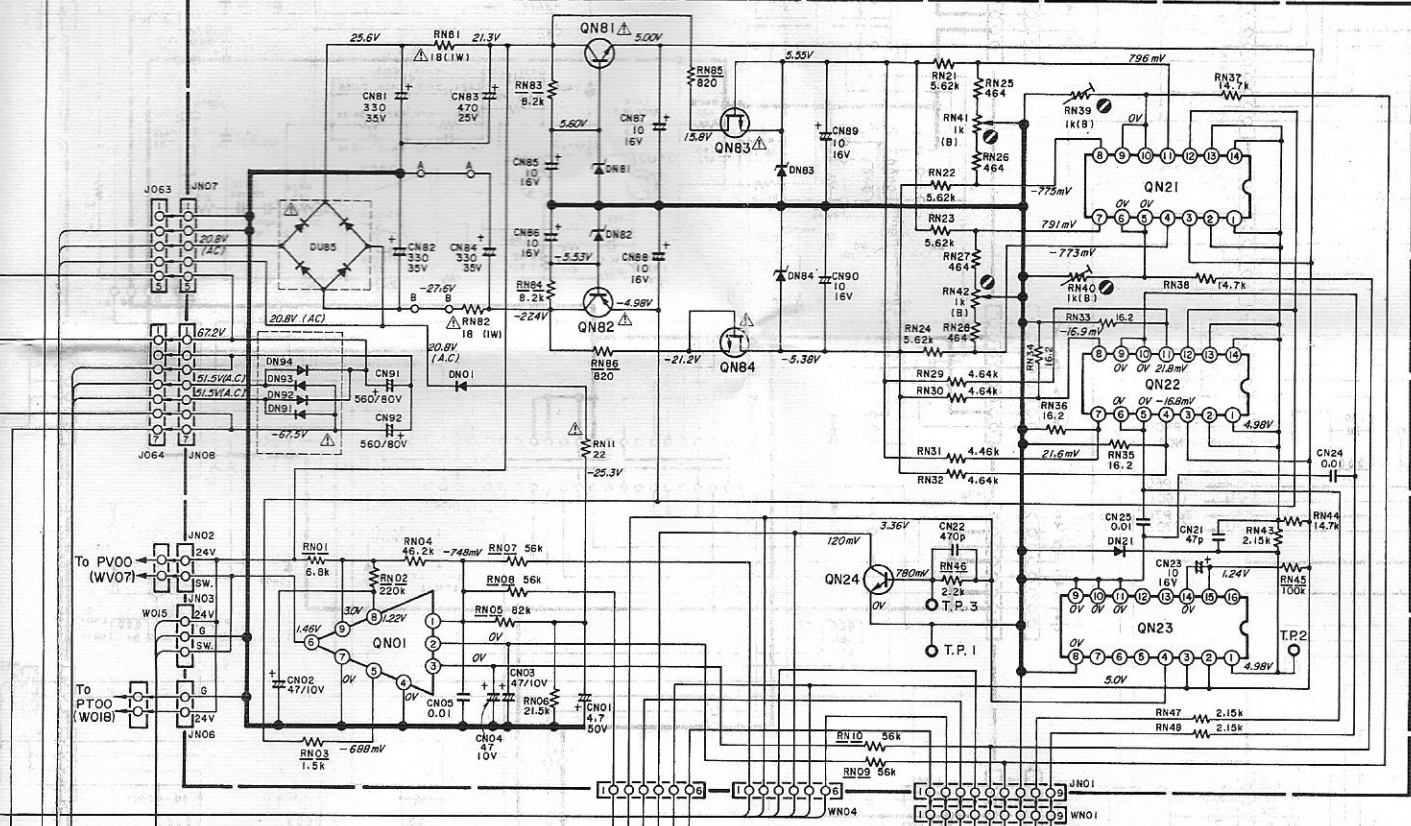
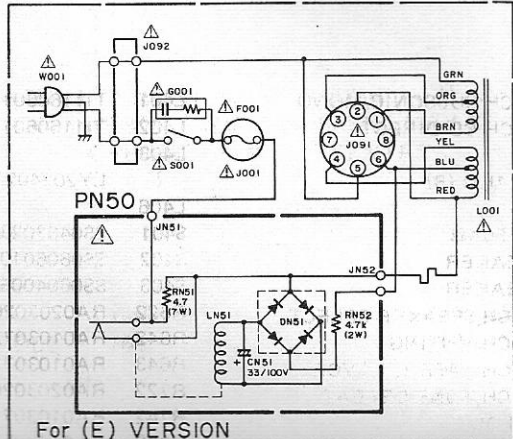


PN00

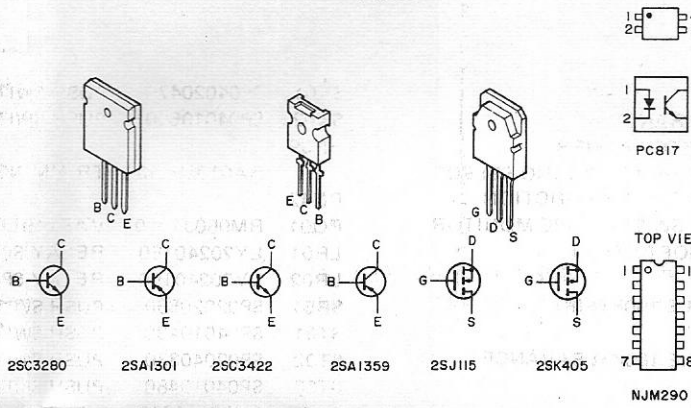


For (F) VERSION



For (E) VERSION

- DN01 HD20016210
ISR35-200A
- DN21 HD20011050
IS1555
- DN81 ~ DN84 HD30021010
HZ6A-3L
- DN85 HE200C2030
DB510B
- DN91 ~ DN94 HD20028080
EP01Z



TOP VIEW
1 4
2 3

PCB17

TOP VIEW
1 14
7 8

NJM2901

